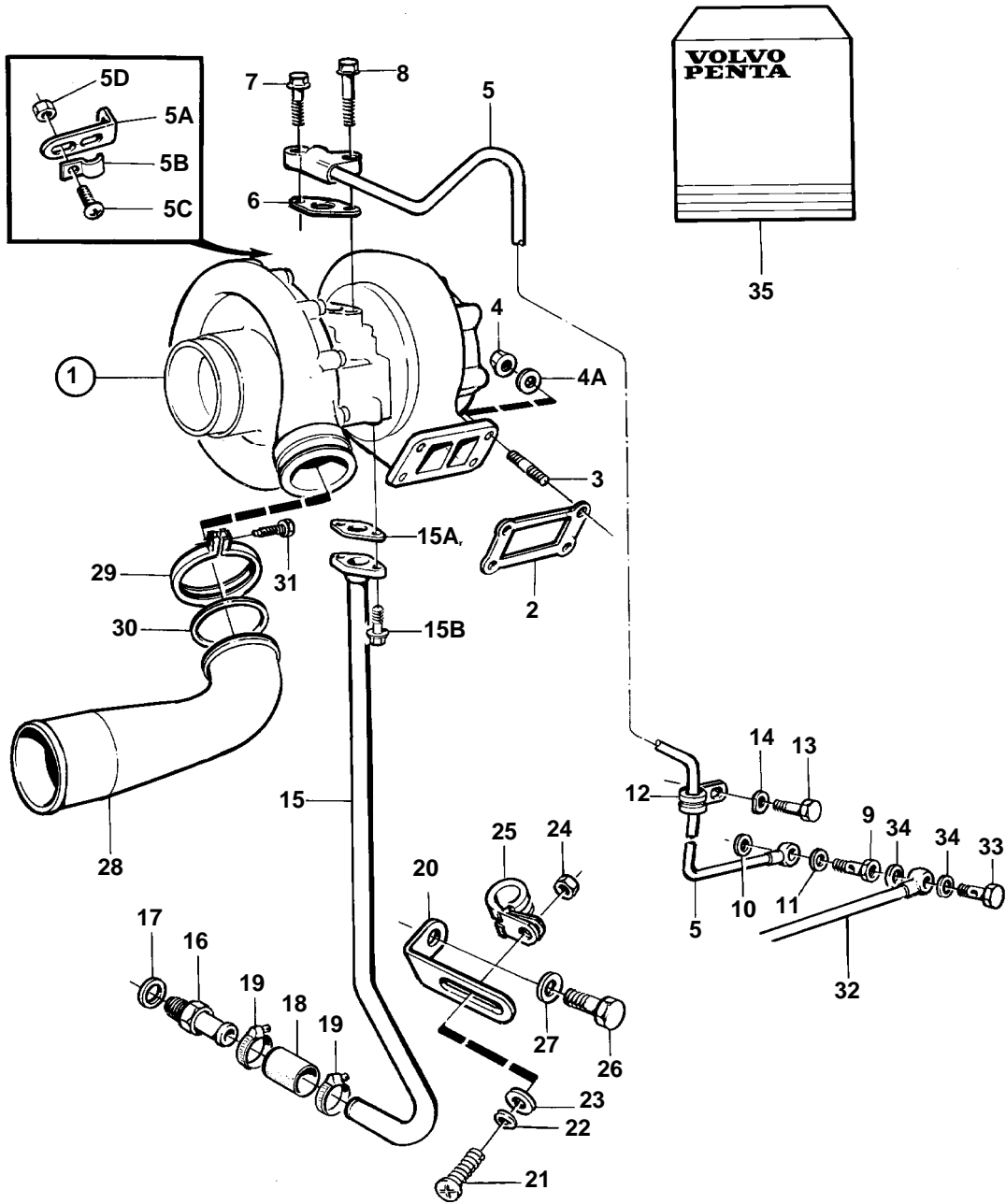


TAD1030V



15304

TAD1030V

| REF | PART NO. | QTY | DESCRIPTION | NOTES |
|-----|----------|-----|------------------------------------------------|------------------------------------------------------------------|
| 1 | 866144 | 1 | Turbocharger | |
| | 3802087 | 1 | Turbocharger, exch, exch • Comps. not spec. | |
| 2 | 8194365 | 1 | Gasket | (422779), Included in gasket kit for connecting of turbocharger. |
| 3 | 8194545 | 4 | Stud | (468892) |
| 4 | 478346 | 4 | Nut | |
| 4A | 940097 | 4 | Washer | |
| 5 | 849612 | 1 | Oil feed pipe, cylinder block | |
| 5A | 965559 | 1 | Bracket | |
| 5B | 968200 | 1 | Clamp | |
| 5C | 950046 | 1 | Screw | |
| 5D | 955825 | 1 | Nut | |
| 6 | 420641 | 1 | Gasket | Included in gasket kit for connecting of turbocharger. |
| 7 | 946173 | 1 | Flange screw | L=20mm |
| 8 | 945444 | 1 | Flange screw | L=25mm |
| 9 | 479464 | 1 | Hollow screw | |
| 10 | 942703 | 1 | Gasket | Included in gasket kit for connecting of turbocharger. |
| 11 | 11998 | 1 | Gasket | Included in gasket kit for connecting of turbocharger. |
| 12 | 952626 | 1 | Clamp | |
| 13 | 950045 | 1 | Screw | |
| 14 | 941906 | 1 | Spring washer | |
| 15 | 862712 | 1 | Oil return pipe, oil drain | |
| 15A | 420643 | 1 | Gasket | Included in gasket kit for connecting of turbocharger. |
| 15B | 945444 | 2 | Flange screw | |
| 16 | 941875 | 1 | Nipple | |
| 17 | 18677 | 1 | Gasket | |
| 18 | 466328 | 1 | Rubber hose | |
| 19 | 943474 | 2 | Hose clamp | |
| 20 | 965560 | 1 | Bracket | |
| 21 | 950046 | 1 | Screw | |
| 22 | 941906 | 1 | Spring washer | |
| 23 | 955893 | 1 | Washer | |
| 24 | 955825 | 1 | Nut | |
| 25 | 952632 | 1 | Clamp | |
| 26 | | 1 | Screw, fuel inj. pump bracket | |
| 27 | | 1 | Washer, fuel inj. pump bracket | |
| 28 | 865121 | 1 | Connection pipe | |
| 29 | 1542778 | 1 | Clamp | |
| 30 | 1542781 | 1 | Sealing ring | |
| 31 | 949335 | 1 | Screw | |
| 32 | 866721 | 1 | Pipe, fuel inj. pump | |
| 33 | 969299 | 1 | Hollow screw | |
| 34 | 11994 | 2 | Gasket | |
| 35 | 876354 | 1 | Gasket kit, turbo connect. | |